



**Product:** Cable junction enclosures with plain walls

**Reference:** J80-L | J100-L | J160-L | J200-L

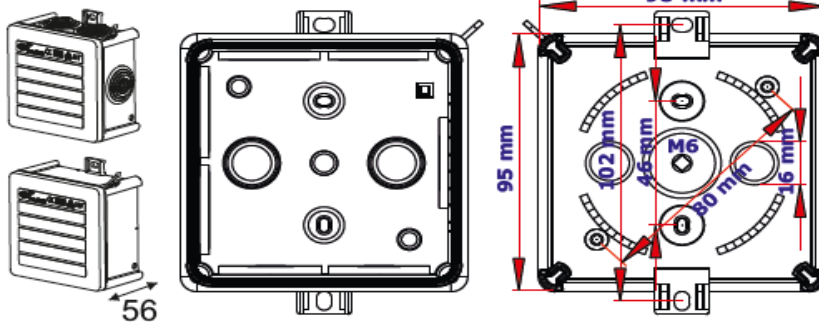


Ref		Dim. Ext(mm)	IP	IK	 Min-Max
J80-L	750°	85 x 85 x 55	65	08	1,5-4
J100-L	750°	100 x 100 x 55	66	08	1,5-6
J160-L	750°	155 x 100 x 70	66	08	1,5-10
J200-L	750°	200 x 155 x 85	66	08	1,5-16

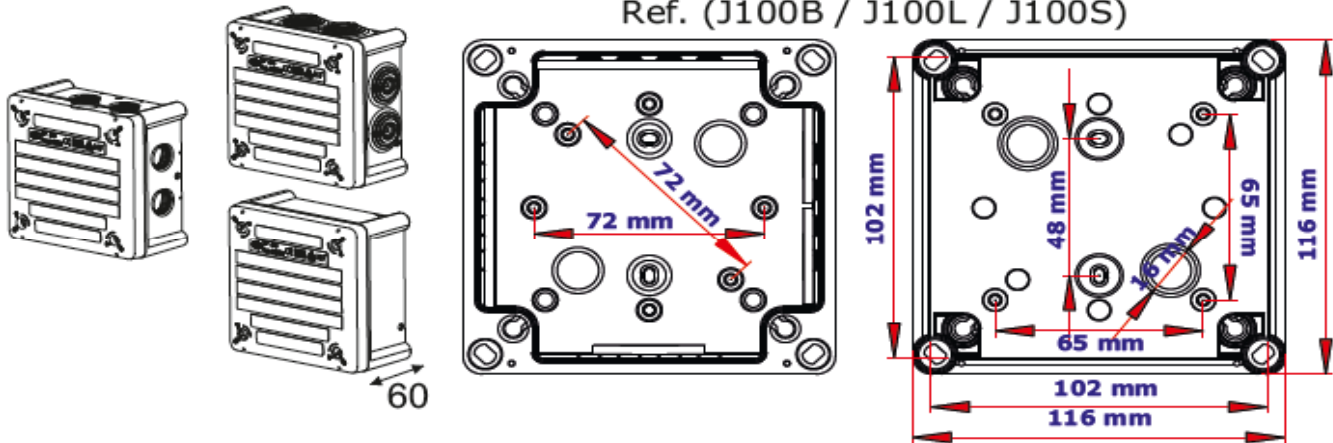
## PRODUCT CHARACTERISTICS

<b>Type of Material</b>	Thermoplastic	<b>Colors Available</b>	Gray   Cream   Black   White
<b>Cover</b>	Screw ¾ turn	<b>Electrical properties</b>	Electrical insulation
<b>Cover J80</b>	pressure	<b>Chemical properties</b>	Resistant to acid & alkaline solutions
<b>IP</b>	66 (65 for J80)		Resistance limited to solvents
<b>IK</b>	08		UV Resistant
<b>Self-extinguishing</b>	750 °C	<b>Others</b>	Halogen free
<b>Operating temperature</b>	-5°C +60°C		Certified Product "KEMA-KEUR"

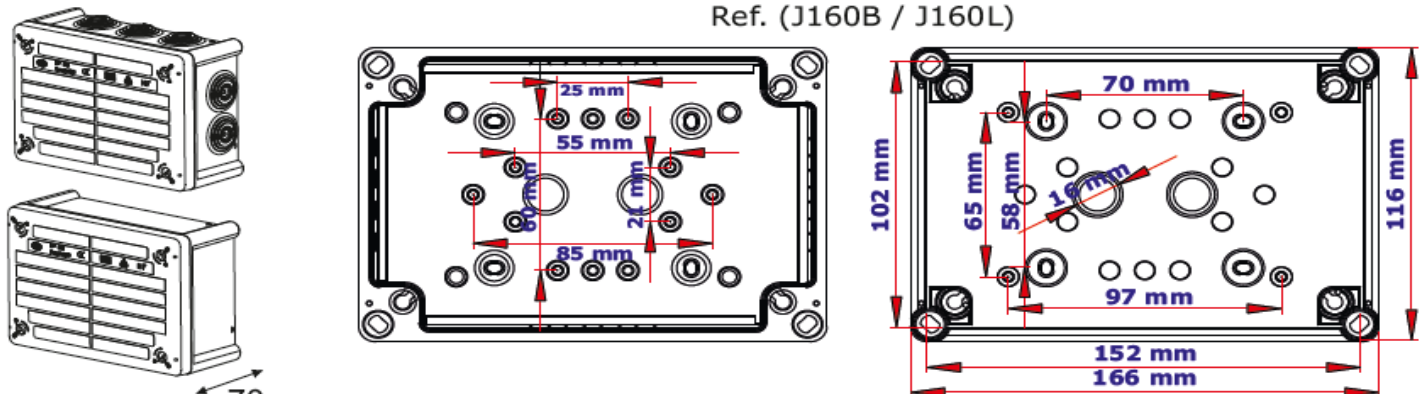
Ref. (J80B / J80L)



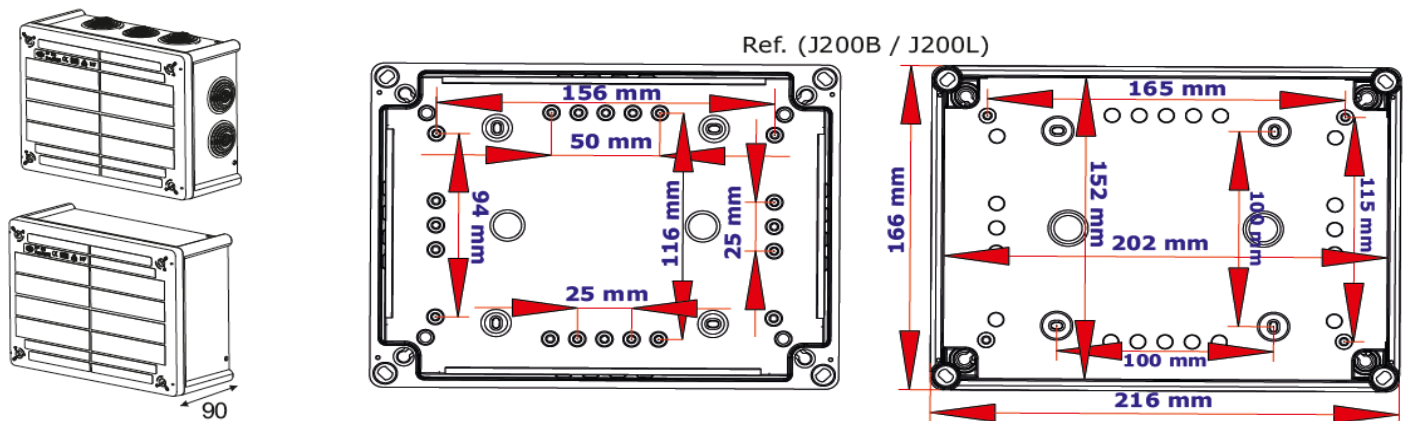
Ref. (J100B / J100L / J100S)



Ref. (J160B / J160L)



Ref. (J200B / J200L)



**APPLICABLE STANDARDS**

- EN 60670 - Boxes and enclosures for electrical accessories for household and similar fixed electrical installations
- EN 60695 - Fire hazard testing. Glowing/hot-wire based test methods
- EN 60529 - Degrees of protection provided by enclosures (IP code)
- EN 62262 - Degrees of protection provided by enclosures against external mechanical impacts (IK code)





**Product:** Cable junction enclosures with stepped rubber grommets

**Reference:** J80-B | J100-B | J160-B | J200-B



Boquillas IP 66  
Conos IP 66  
Grommets IP 66  
Gradin IP66

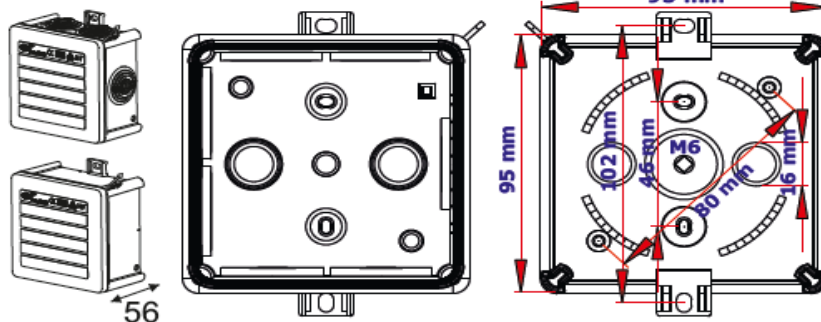


Ref		Dim. Ext.(mm)	IP	IK			
J80-B	750°	85 x 85 x 55	65	08	7 x M25	1,5-4	3,5-25
J100-B	750°	100 x 100 x 55	66	08	7 x M25	1,5-6	3,5-25
J160-B	750°	155 x 100 x 70	66	08	10 x M25	1,5-10	3,5-25
J200-B	750°	200 x 155 x 85	66	08	10 x M32	1,5-16	3,5-32

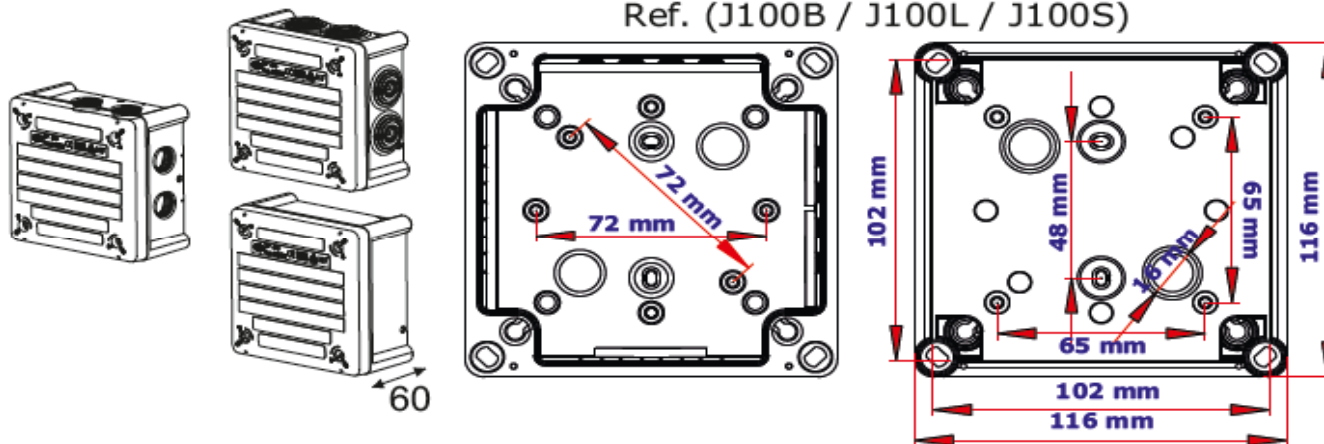
## PRODUCT CHARACTERISTICS

<b>Type of Material</b>	Thermoplastic	<b>Colors Available</b>	Gray   Cream   Black   White
<b>Cover</b>	Screw ¾ turn	<b>Electrical properties</b>	Electrical insulation
<b>Cover J80</b>	pressure	<b>Chemical properties</b>	Resistant to acid & alkaline solutions
<b>IP</b>	66 (65 for J80)		Resistance limited to solvents
<b>IK</b>	08		UV Resistant
<b>Self-extinguishing</b>	750 °C	<b>Others</b>	Halogen free
<b>Operating temperature</b>	-5°C +60°C		Certified Product "KEMA-KEUR"

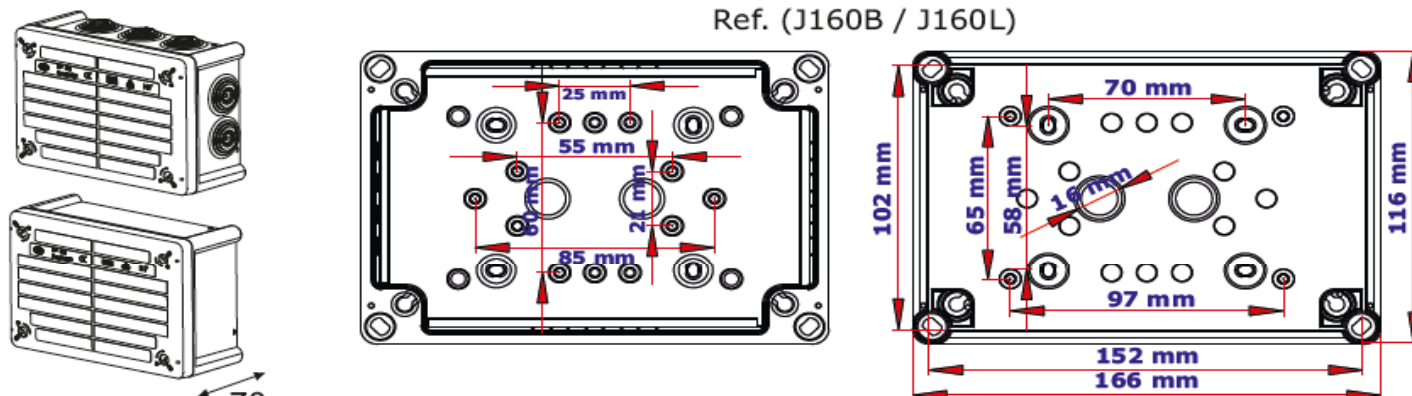
Ref. (J80B / J80L)



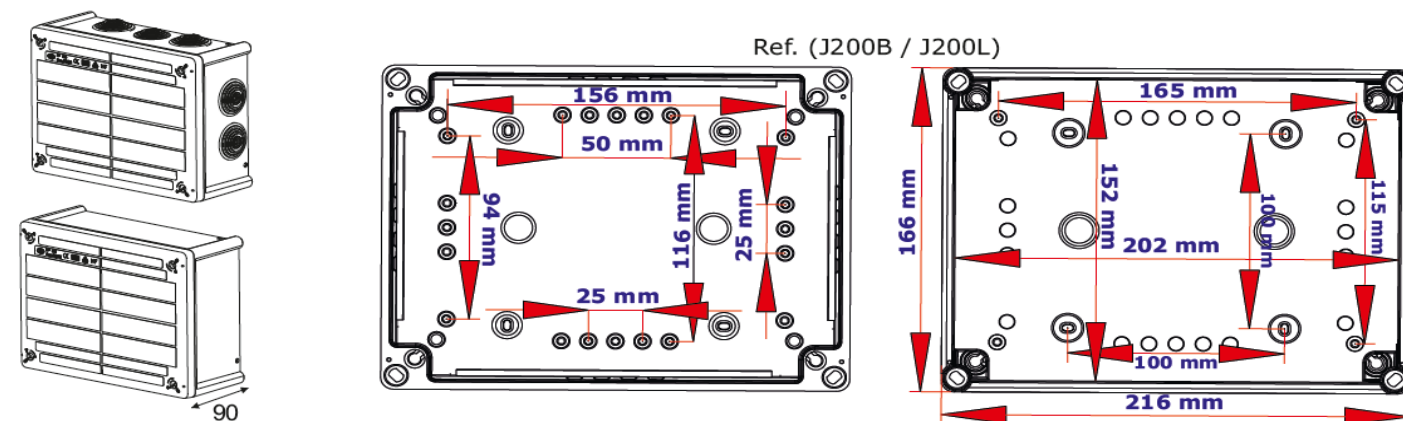
Ref. (J100B / J100L / J100S)



Ref. (J160B / J160L)



Ref. (J200B / J200L)



**APPLICABLE STANDARDS**

- EN 60670 - Boxes and enclosures for electrical accessories for household and similar fixed electrical installations
- EN 60695 - Fire hazard testing. Glowing/hot-wire based test methods
- EN 60529 - Degrees of protection provided by enclosures (IP code)
- EN 62262 - Degrees of protection provided by enclosures against external mechanical impacts (IK code)