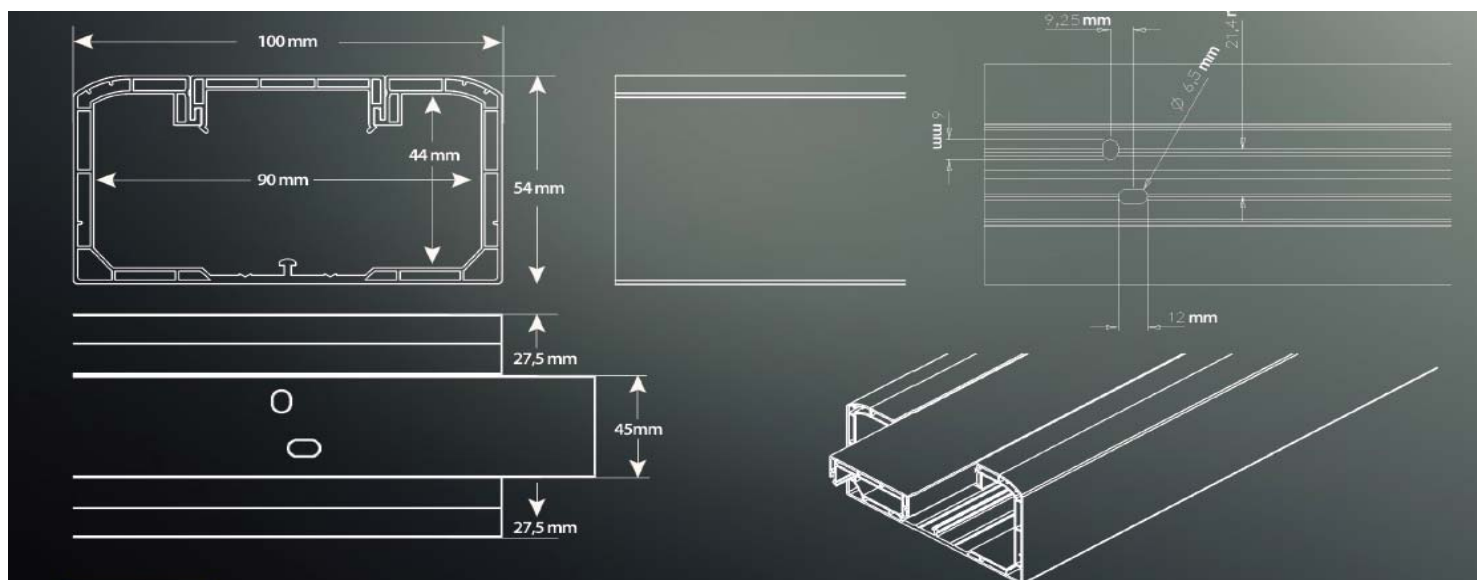


JSL – Material Eléctrico, S.A.

Product: Trunking system for cables, swithes and sockets

Reference: 10054B



PRODUCT CHARACTERISTICS

Type of Material	PVC	Colors	White / Black
Fixation	Screw	Electrical continuity	Without electrical continuity
Resistance to impact	2J	Electrical insulating	With electrical insulating
Operating temperature	-5°C +60°C	Chemical properties	With high protection
Flame propagation	Non-flame propagating	Cover retention	Only opened with a tool
IP	41 (IP40 w/ switches)	Protective separation	With or without
IK	07	Installation	Wall and floor
Switches and sockets	All JSL 45x45 and 45x90	Others	UV resistant
Rated voltage	515 V		

PRODUCT CHARACTERISTICS

EN 50085- Cable trunking systems and cable ducting systems for electrical installations

EN 60695 - Fire hazard testing