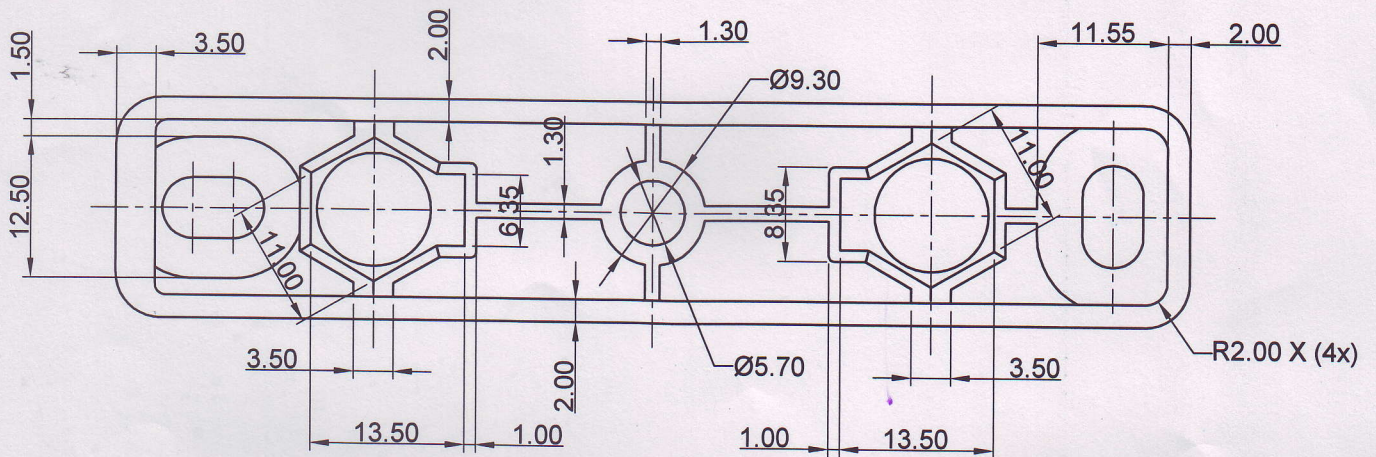
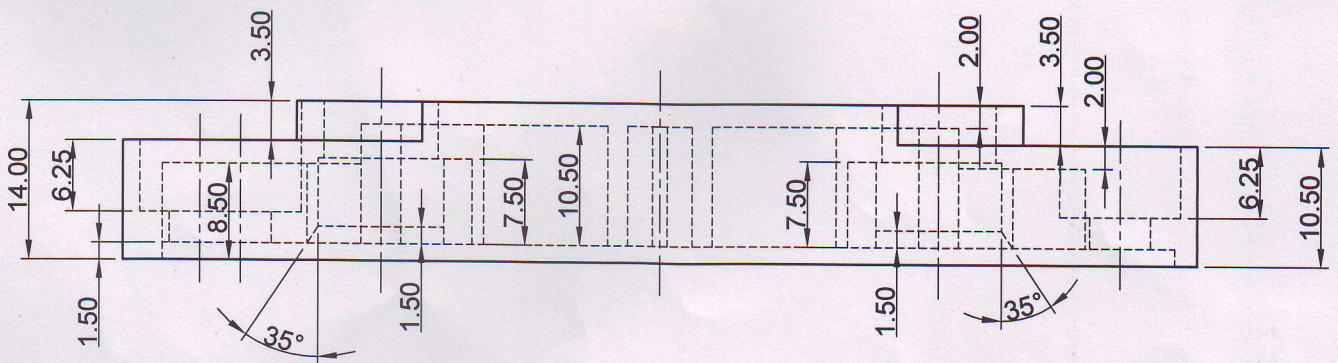
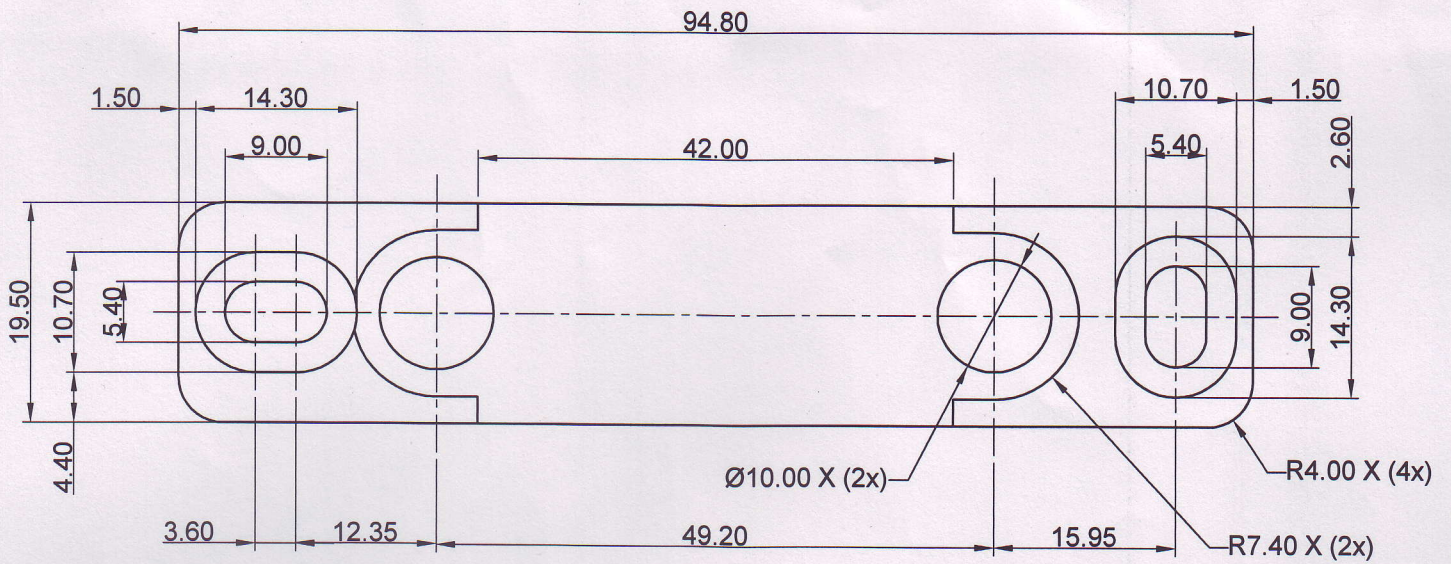


Section A-A

Assembly View

NOTE :-
 Part :- Assembly View
 Material :-
 Drawing No. :- D-001/a
 Tolerance :-
 Scale :- 2.5:1
 All dimensions are in mm.

10	Brass Washer	Brass	2
9	M7 Brass Nut	Brass	2
8	M7 Brass Stud	Brass	2
7	M5 Brass Bolt	Brass	8
6	Small Clamp For Rail	M.S.	4
5	Earth Clamp Top Part	Brass	2
4	Earth Clamp Bottom	Brass	2
3	Disconnecting Link	Copper	1
2	Copper Earth Bar Rail	Copper	1
1	Plastick Base	PP	1
No.	Part Name	Material	Qty.



NOTE :-

Part :- Plastic Base

Material :- PP

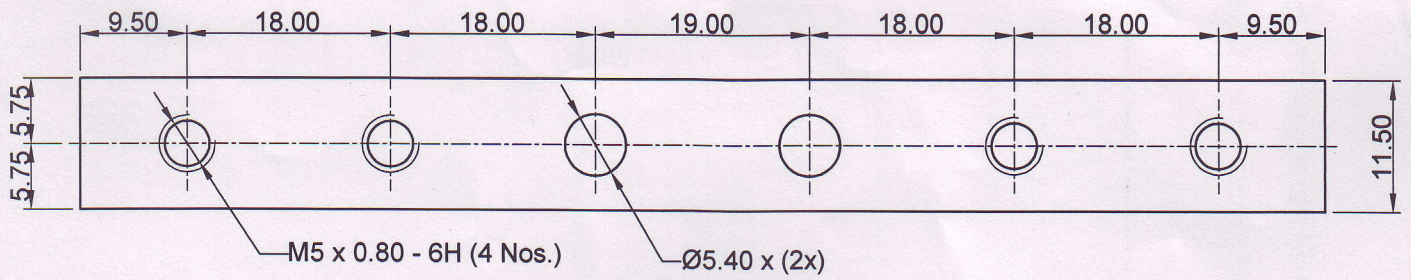
Assm. Qty - 1 Pc.

Drawing No. :- D-001/b

Tolerance :- ± 0.15

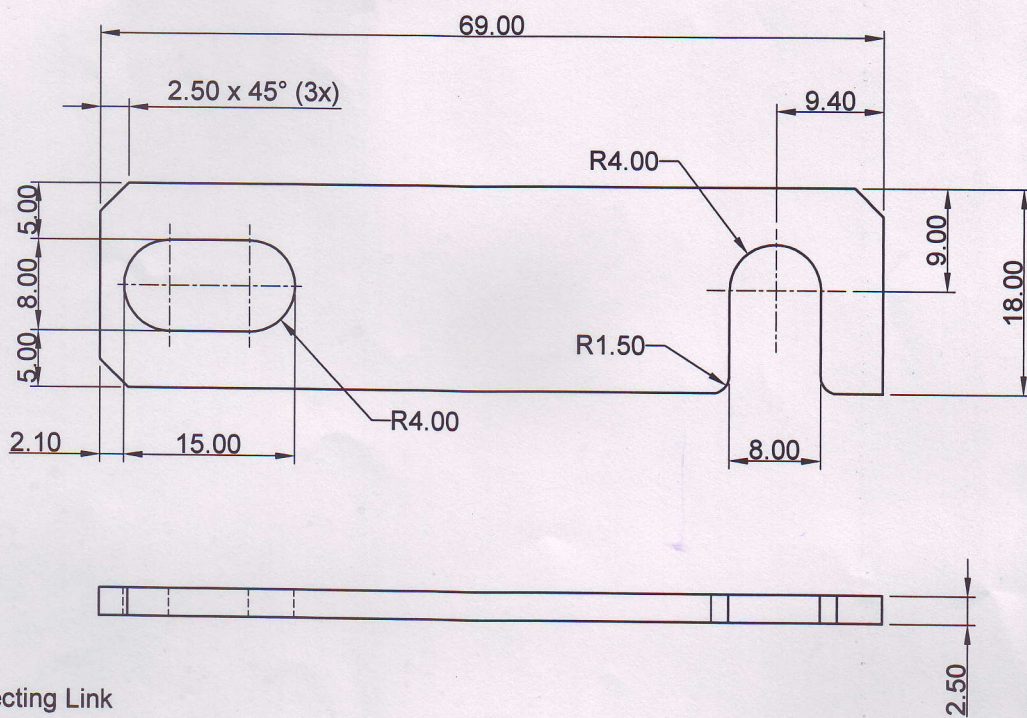
Scale :- 1.5:1

All dimensions are in mm.



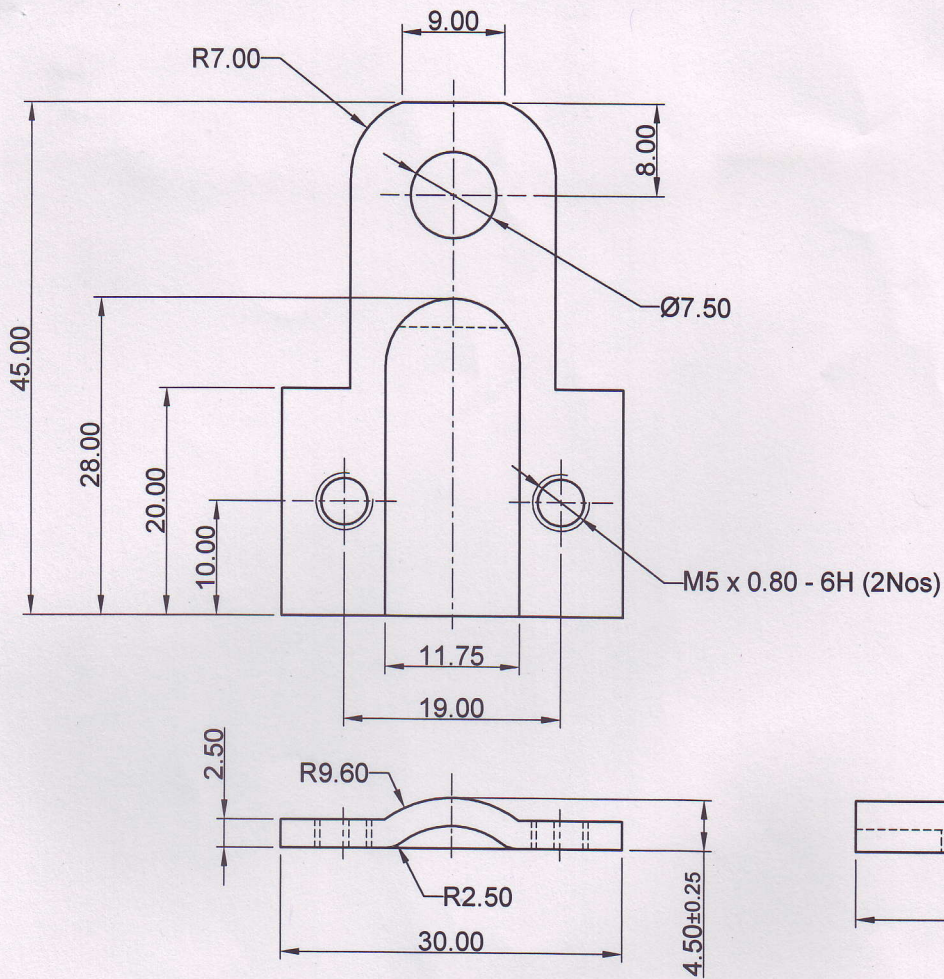
NOTE :-

Part :- Copper Earth Bar Rail
 Material :- Copper
 Assm. Qty - 1 Pc.
 Drawing No. :- D-001/c
 Tolerance :- ± 0.10
 Scale :- 1.5:1
 All dimensions are in mm.



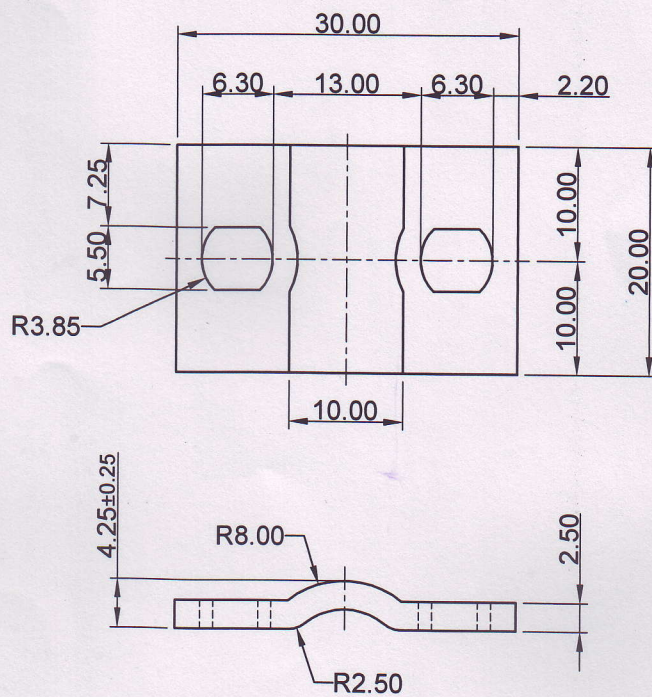
NOTE :-

Part :- Disconnecting Link
 Material :- Copper
 Assm. Qty - 1 Pc.
 Drawing No. :- D-001/c
 Tolerance :- ± 0.10
 Scale :- 1.5:1
 All dimensions are in mm.



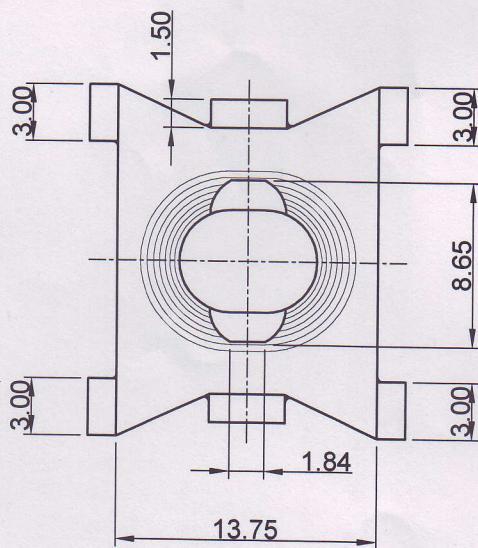
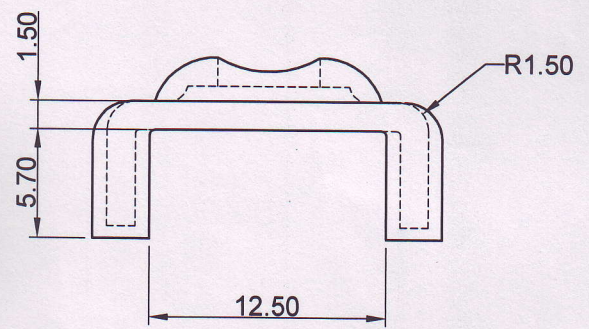
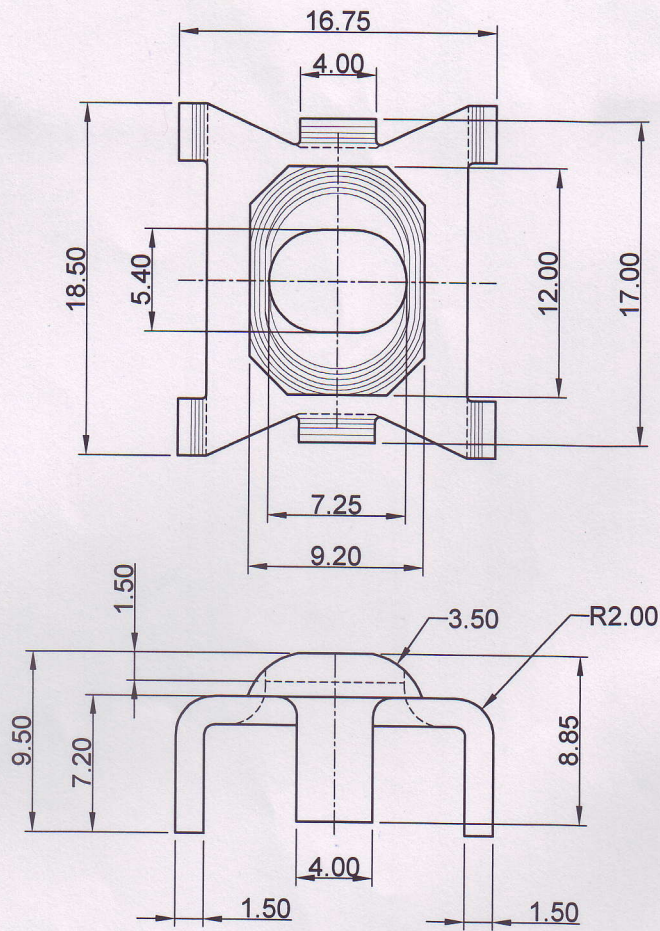
NOTE :-

Part :- Earth Clamp Bottom
 Material :- Brass
 Assm. Qty - 2 Pcs.
 Drawing No. :- D-001/d
 Tolerance :- ± 0.10
 Scale :- 1.5:1
 All dimensions are in mm.



NOTE :-

Part :- Earth Clamp Top Part
 Material :- Brass
 Assm. Qty - 2 Pcs.
 Drawing No. :- D-001/d
 Tolerance :- ± 0.10
 Scale :- 1.5:1
 All dimensions are in mm.



NOTE :-

Part :- Small Clamp For Rail

Material :- M.S.

Plating :- Zinc Plated

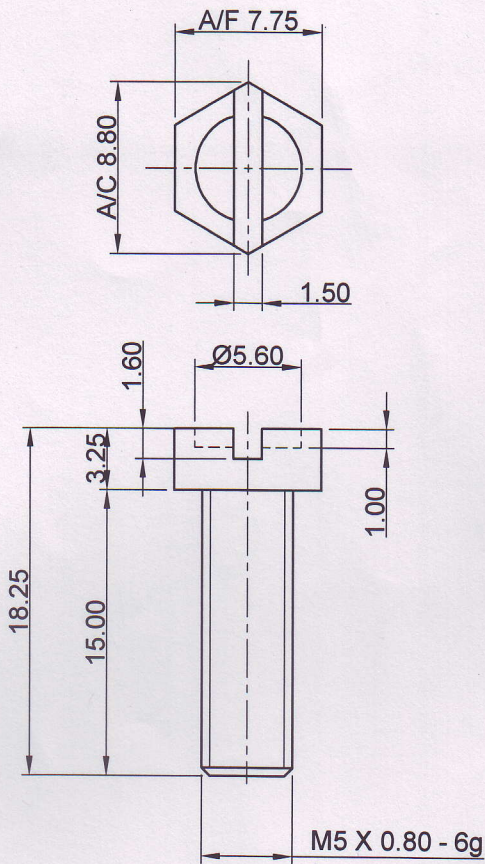
Assm. Qty - 4 Pcs.

Drawing No. :- D-001/e

Tolerance :- ± 0.10

Scale :- 1.5:1

All dimensions are in mm.



NOTE :-

Part :- M5 Brass Bolt

Material :- Brass

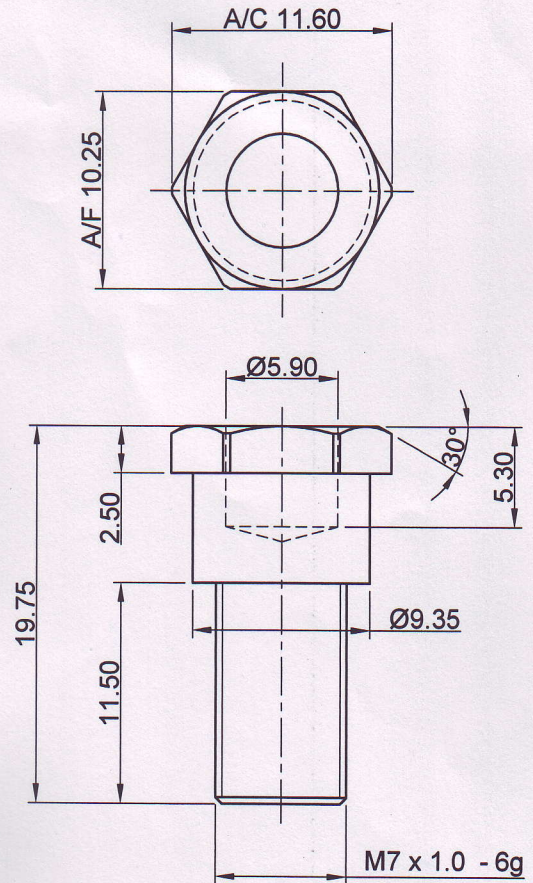
Assm. Qty - 8 Pcs.

Drawing No. :- D-001/f

Tolerance :- ± 0.10

Scale :- 2.5:1

All dimensions are in mm.



NOTE :-

Part :- M7 Brass Stud

Material :- Brass

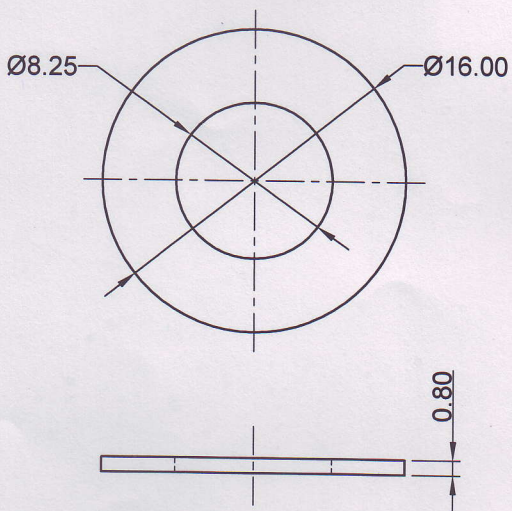
Assm. Qty - 2 Pcs.

Drawing No. :- D-001/f

Tolerance :- ± 0.10

Scale :- 2.5:1

All dimensions are in mm.



NOTE :-

Part :- Brass Washer

Material :- Brass

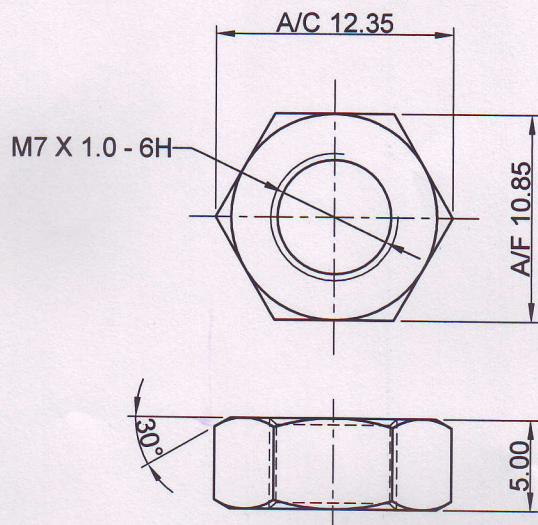
Assm. Qty - 2 Pcs.

Drawing No. :- D-001/f

Tolerance :- ± 0.10

Scale :- 2.5:1

All dimensions are in mm.



NOTE :-

Part :- M7 Brass Nut

Material :- Brass

Assm. Qty - 2 Pcs.

Drawing No. :- D-001/f

Tolerance :- ± 0.10

Scale :- 2.5:1

All dimensions are in mm.